



YLI ELECTRONIC

Tappet Contact

Model:DLK-404-3



Basic Instruction

It is made of premium material,processed by high-precision production,unique design. Applicable to be utilized for access control to protect the wires while you install electric lock, door contact and call point,avoiding damaging.It comes with convenience as well.

Specification

Material Selection: High Strength Aluminum, Sandblast Finished

Suitable for Door: All Kind of Single Door & Double Doors

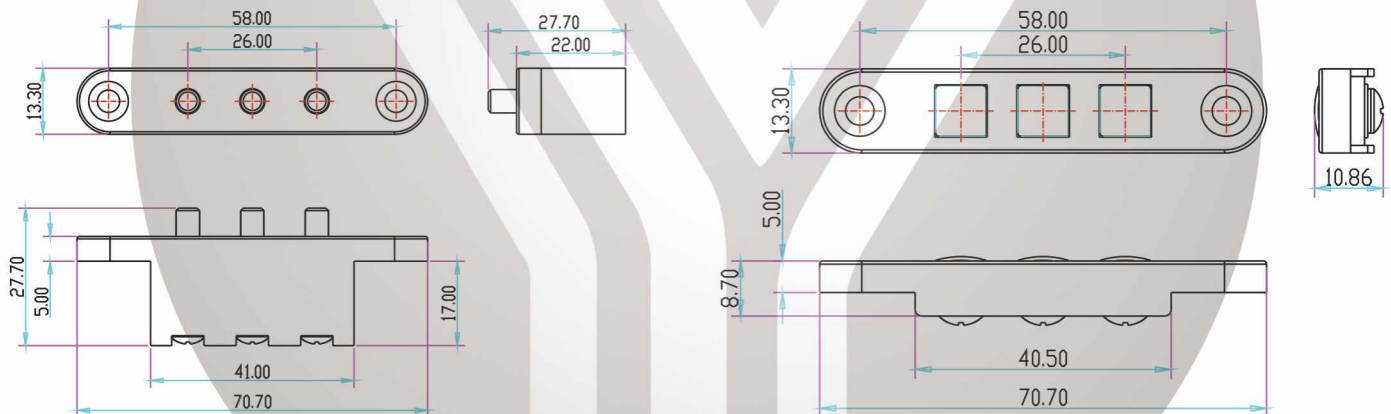
Max. Current: 5A

Max. Voltage: 0-36VDC/VAC

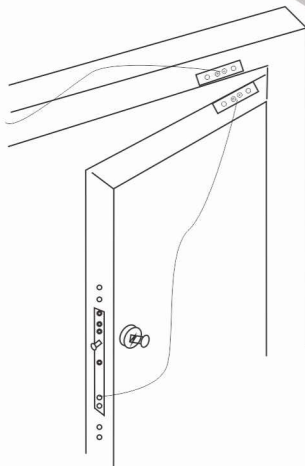
Contact Material: Plated brass

Weight: 0.06kg

Dimension



Installation



Feature

- Select the Special Durable Material
- Link on the Door Leaf and Door Frame Without Wires
- Convenient for Special Installation
- Speciality Use for the Access Control Project