



YLI ELECTRONIC

# Tappet Contact

Model:DLK-405-3



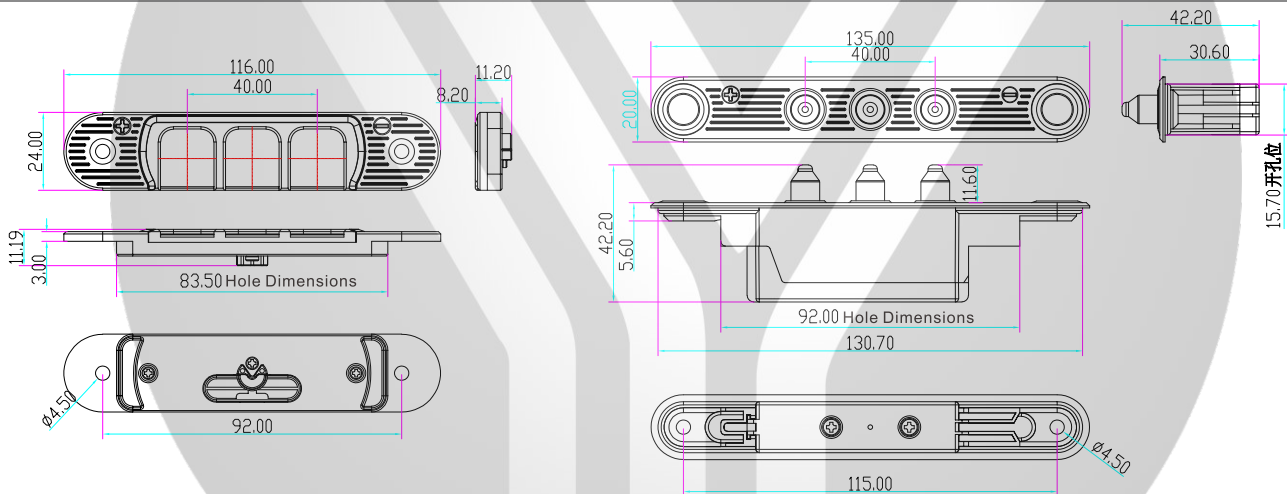
## Basic Instruction

This item is made of premium material ,processed by high-precision,unique design. It is suitable for all kinds of single and double doors and the contact pole is 304 stainless steel material.The PCB contacts adopts silver plating process. Anti-oxidation, anti-rust, anti-corrosion.The shell adopts imported materials, which is resistant to high temperature, cold ,wear and prevent pinching and damage.

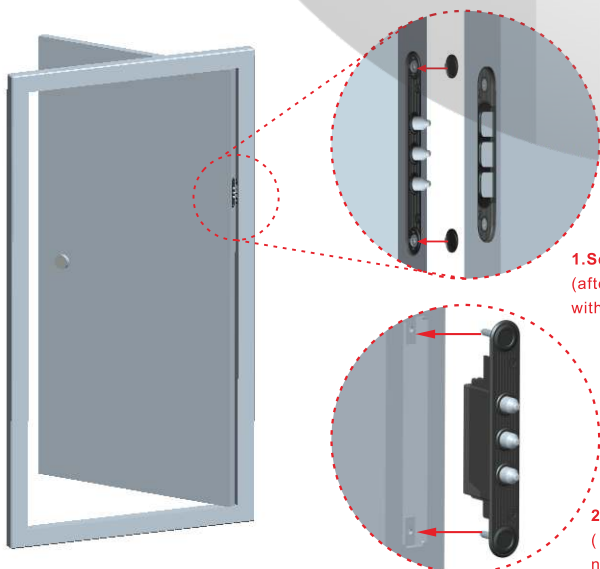
## Specification

- Material: Imported high temperature and wear-resistant materials
- Suitable For: All kinds of single and double doors
- Maximum Voltage : 36VDC/VAC
- Maximum Current : 3A
- Cable color: Red,Black,White
- Cable length: 2M
- Contact Material: Stainless Steel
- Weight: 0.15kg

## Dimensions



## Installation



1. See the red mark (after fix the screws, cover with the anti-tamper cover)

2. Hollow door (two mounting tabs are needed for fixing screws)

## Product Advantages

- Imported Durable Materials
- Applicable for all kinds of doors for wiring connection
- Special design for luxury entrance doors and access control systems
- Suitable for electric locks, door contacts, alarm switches and etc.
- Easy to install, elegant and durable