

USER MANUAL

22008309 No Touch Infrared Button

Feature

- 1.22008309 infrared photoelectric reflective sensor switch.
- 2.with Red/Green LED indication.
- 3.Red/Green LED can be controlled by Internal mode/External mode.
- 4.Detecting distance of 22008309 can be adjusted from 5cm to 20cm.
- 5.With timer delay function. Adjusted from 0.5sec to 20sec.
6. With pulse/toggle function.
- 7.Dia 22mm. Fit different size of stainless steel or Metal frame.
- 8.Rapid reaction.
- 9.Changeover contact.1A@30VDC
10. Waterproof at front side.

Specification

	Voltage: 12V DC 24V DC +/- 10 %	Current: max.45 mA
	Waterproof: Ip65	Weight: 0.025 kg
	Timer Delay: 0.5-20secs(Pulse Mode) Operation Mode: Pulse/Toggle	Reaction Distance: 5-20CM
	Circuit Grade:: 30V DC 1 A	Operating Rating: -25 + 55° C
	Mode: 1 changeover contact (NO/NC/COM)	

Connection

Settings

Adjuster for Time Delay Adjuster for detecting distance

Adjuster for Time Delay Adjuster for detecting distance

0.5-20Seconds
Toggle function: In the end of Clockwise position
Starting Point: from "metal point"

INT/EXT MODE

INT MODE

INT: Factory Setting,with Jumper open
LEDs will be controlled by IR button

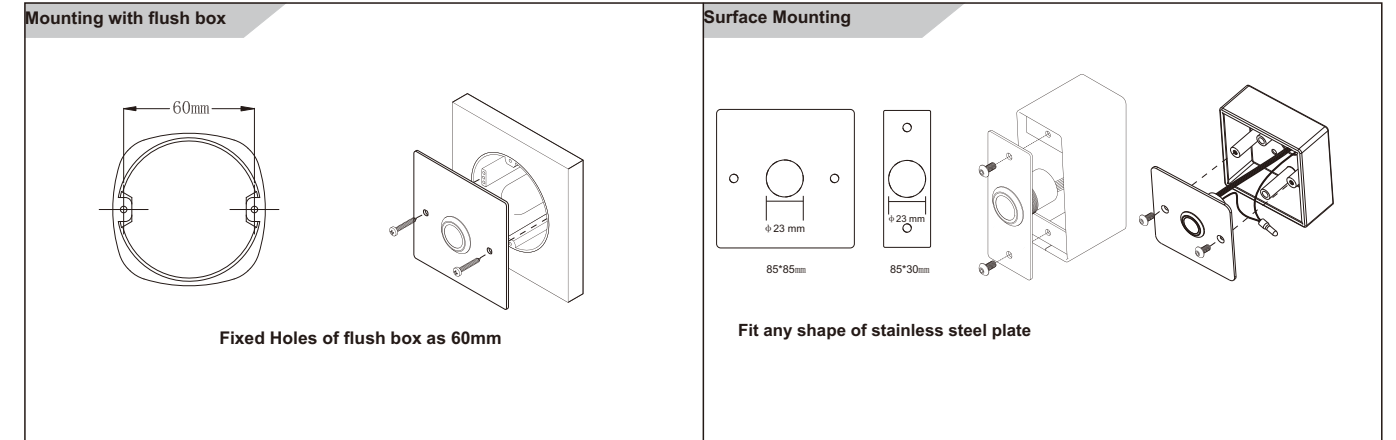
EXT MODE

EXT: with Jumper closed
LEDs will be controlled by system

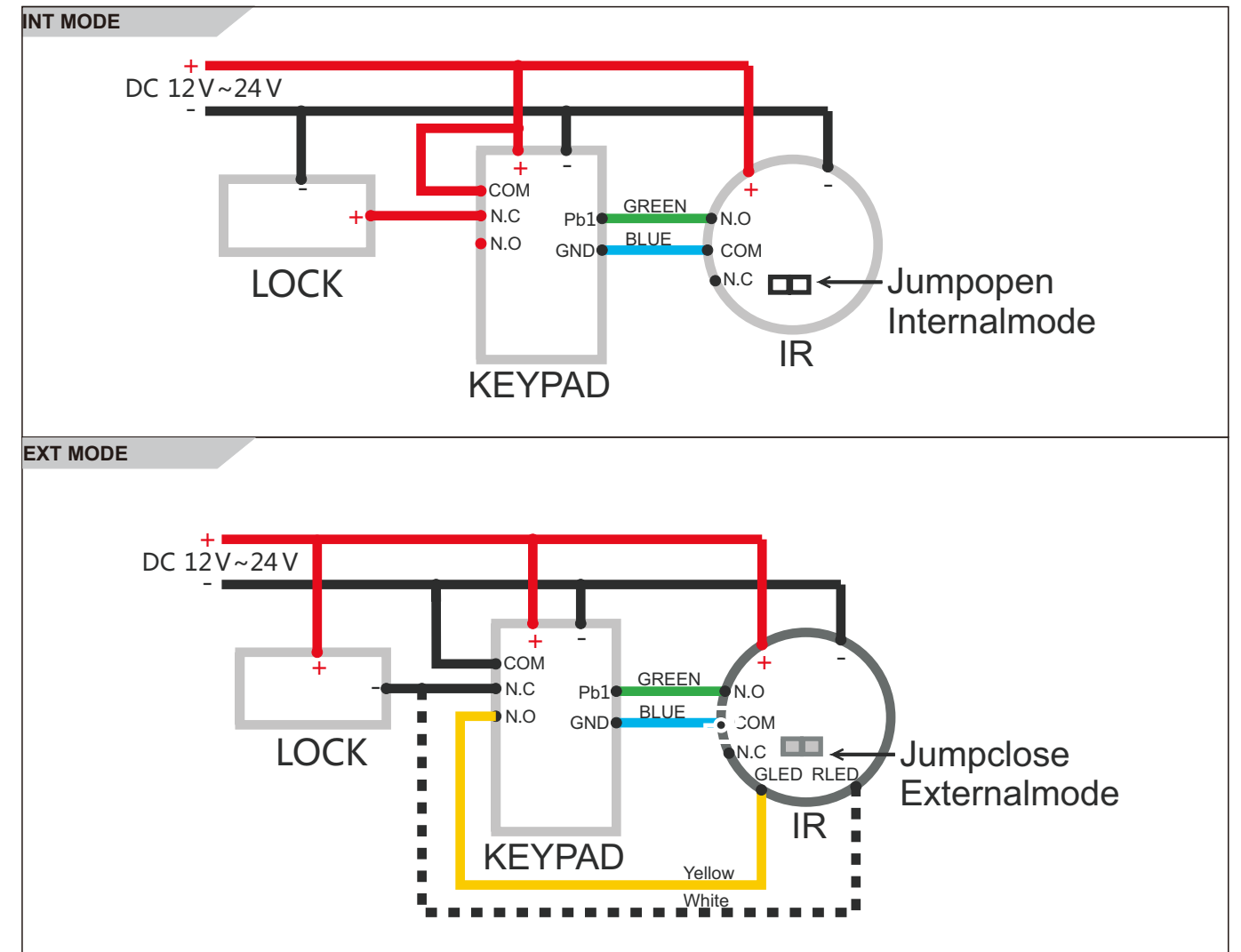
Cables

<p>Red cable:12-24VDC Black cable: 0VDC Yellow:Green LED controlled in EXT mode White:Red LED controlled in EXT mode</p>	<table style="border: none;"> <tr> <td style="width: 50%;">Green:N.O Blue :COM Purple:N.C</td> <td style="width: 50%; font-size: 2em;">}</td> <td style="vertical-align: middle;">Change-over Contact</td> </tr> </table>	Green:N.O Blue :COM Purple:N.C	}	Change-over Contact
Green:N.O Blue :COM Purple:N.C	}	Change-over Contact		

Mounting



wiring Diagram



Attention - Caution
 *Input voltage must be correct as specified
 Wrong connecting may damage the product.
 This failure is not covered by the product warranty