

Communication Hub 1 to 8 - distance 20m



Codification and designation :

APE-9000 Communication Hub 1 to 8 - distance 20m

General description :

Communication Hub 1 to 8 - distance 20m, for connection to the system bus access control via RS485. Allows up to eight devices on a single Aperio hub. Integrated with the ability to mount an antenna external antenna. Encrypted radio communication. LEDs for displaying status. Connection between the system and DBM6000 Aperio.

Technical characteristics :

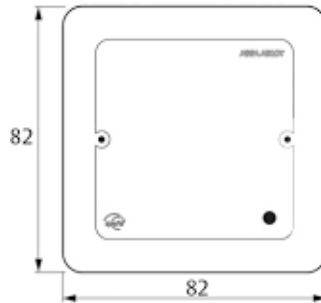
- Operating temperature : 5°C to 35°C
- Humidity : < 95%
- Operating Distance : 15 to 25 m
- Standard radio: IEEE 802.15.4 (2.4 Ghz) - 16 channels (11-26)

Communication Hub 1 to 8 - distance 20m

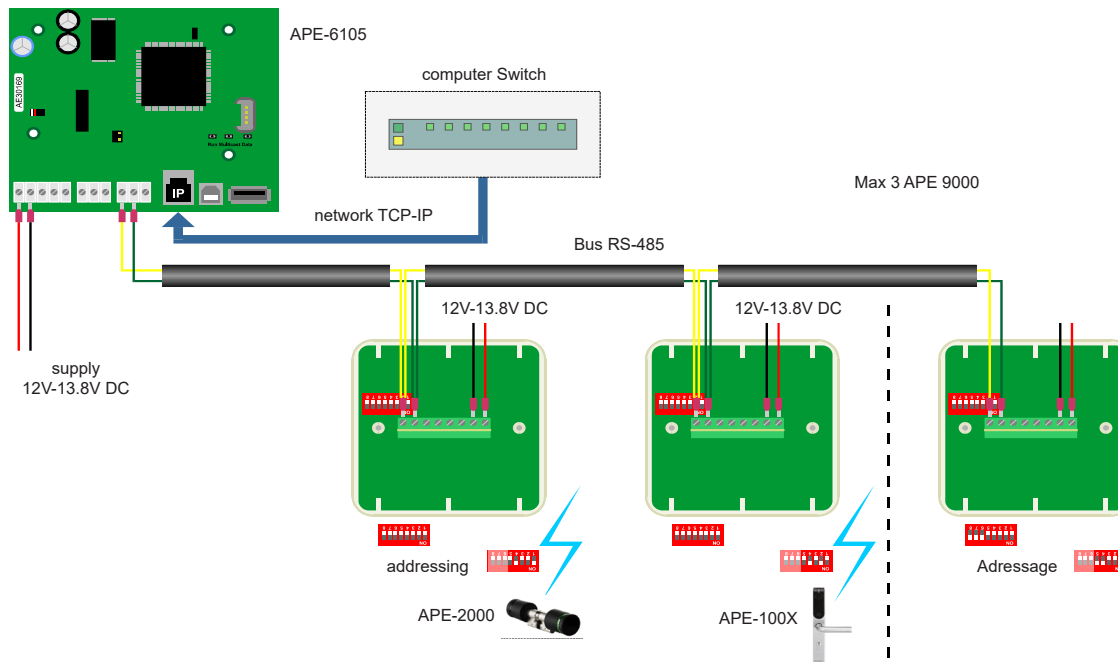
Mechanical dimensions and weight:



82 x 82 x 37 mm



Wiring :



Other versions :

APE-1010 : Escutcheon with included card reader without Hub
 APE-1015 : Escutcheon H100 with included card reader without Hub
 APE-2010 : Cylinder with included Mifare card reader without Hub

Package:

delivered with plan + Wall bracket

Accessories :

No accessory

Your distributor :



Chaussée de Louvain, 592
 B-1380 Ohain
 Belgium
 Tel : +32 (0)2 389 16 40
 Fax : +32 (0)2 387 14 02
 contact@dinec.be
 www.dinec.be

