

YB-500B(LED) 28000127

Boltlås låst strømløs 24V

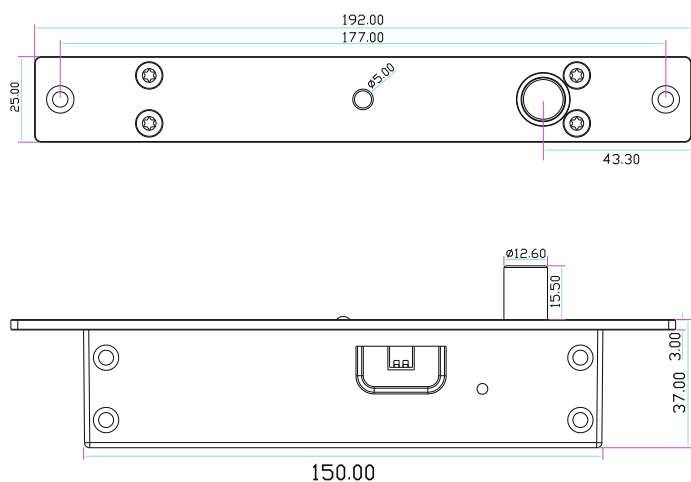


Product overview

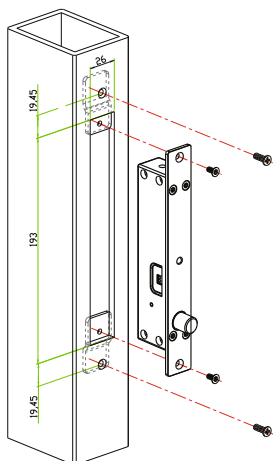
YB-500B (LED) is an all-metal construction electric bolt with 1000kg holding force. The bolt is made of 304 stainless steel solid bar by CNC lathe and with anti-burglar design to meet the standard of special security requirements. It can work at the temperature of 60°C or 20°C below zero based on the all-metal components. With the multiple designs of durable solenoid valve, special photoelectric control system, ultra-low temperature and power consumption design, vandal resistant circuitry and auto-detective circuitry, YB-500B (LED) is designed for narrow frame doors, metal doors, wooden doors, glass doors, PVC doors, partition doors and etc.

Dimensions

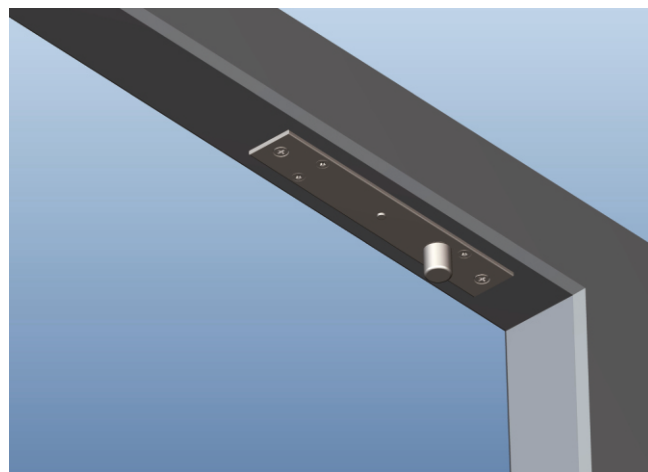
Unit : mm



Installation dimension



Installation diagram



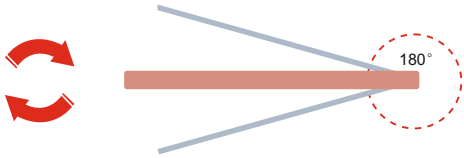
Parameter/Model	YB-500B(LED)
Parameter	Description
Fail secure	Unlocked when energized
Dimensions	192Lx25WX37H(mm)
Strike	90Lx25Wx2H(mm)
Bolt	16mmDIA, stainless steel 13mm throw
Voltage	24VDC
Start current	500mA
Standby current	100mA
Bolt strength	304 stainless steel with polishing finish, 1000kg holding force
Time delay	0/3/6/9sec
Signal output	NO/COM
LED	Light on indicates locked; Light off indicates unlocked
Induction distance	8mm
Suitable for	Wooden door, Glass door, Metal door, PVC door
Face place material	304 stainless steel panel with wire drawing finish
Weight	0.68kg

Shenzhen YLI Electric Lock Co.,Ltd.

Room 1605, Block A, Haisong Building, Tairan 9th Road, Futian District, Shenzhen, China
 TEL:86-755-83489801/02/03/04/05/06 FAX:86-755-83489807
 Website: www.yli.cn E-mail: yli@yli.cn

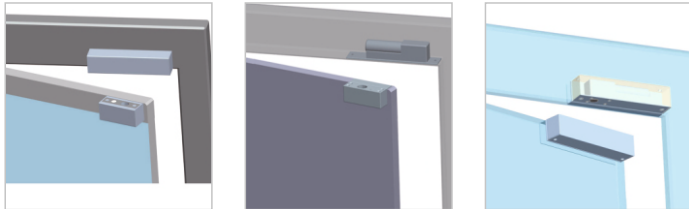
Suitable for double action doors

Electric bolts are specially designed for double action doors. They can also be installed on both inswing doors and outswing doors.



Optional Brackets

It depends on the types of your doors. We have many kinds of brackets for narrow frame doors, frameless glass doors and in-swing or out-swing doors.



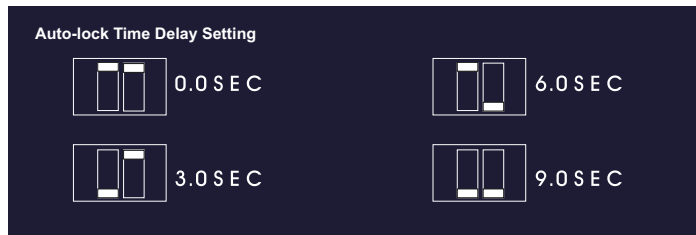
BBK-500

BBK-601

BBK-700

Auto-lock time delay

This can be set up from 0 to 9 seconds by adjusting the jumpers.



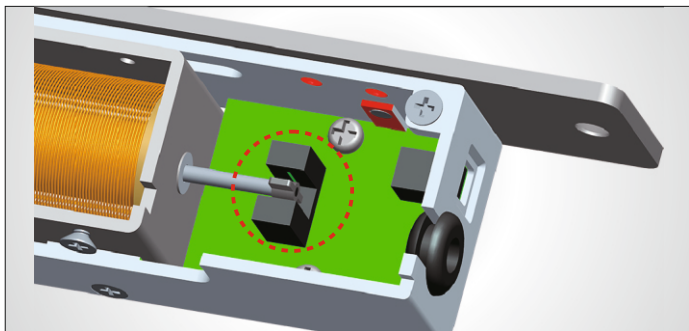
Optional door or lock sensor output

Standard option is a set of NO/NC/COM lock signal output contact. (NO/COM of door signal output contact can be customized, YB-500B(LED)-DS)



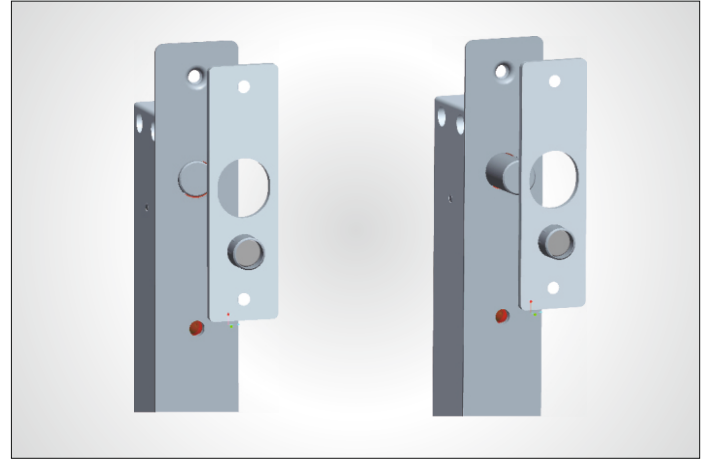
Photoelectric sensor control

Instead of using electric components, we use photoelectric components to make the bolt more stable and durable. At the same time, it can increase the lifetime of the electric bolt.



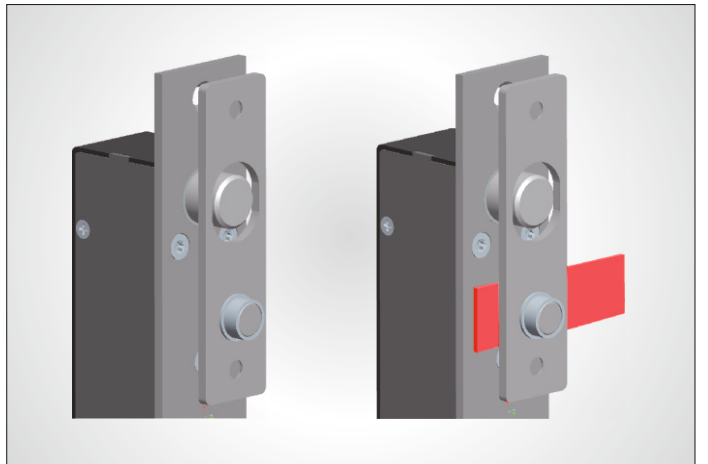
Auto-detective circuitry

This special auto-detective circuit of electric bolt keeps the bolt retracted while the door unlocked or improperly aligned until the door is properly closed.



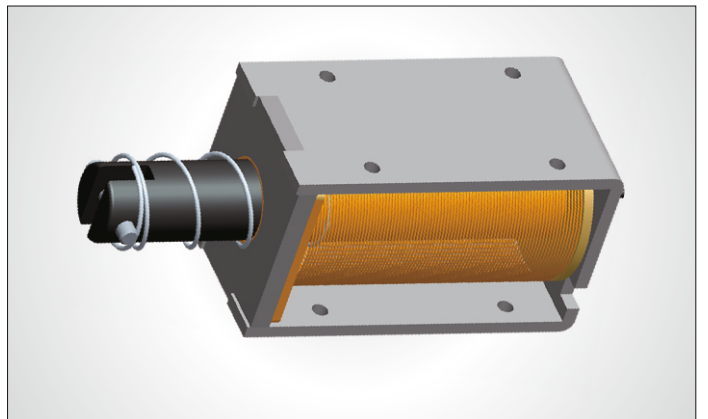
Vandal resistant circuitry

The reed sensor will automatically disconnect when the door is actually closed in order to enhance the security of the lock.



Ultradurable solenoid valve

Tested for over 500,000 times, the specially designed solenoid valve can be used for 5 to 10 years.



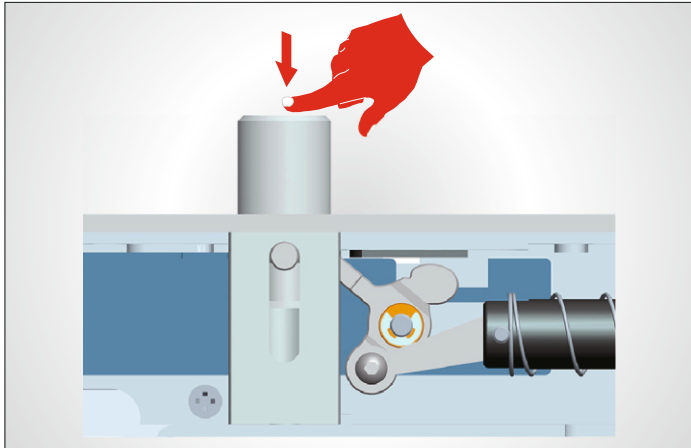
Shenzhen YLI Electric Lock Co.,Ltd.

Room 1605, Block A, Haisong Building, Tairan 9th Road, Futian District, Shenzhen, China
TEL:86-755-83489801/02/03/04/05/06 FAX:86-755-83489807
Website: www.yli.cn E-mail: yli@yli.cn



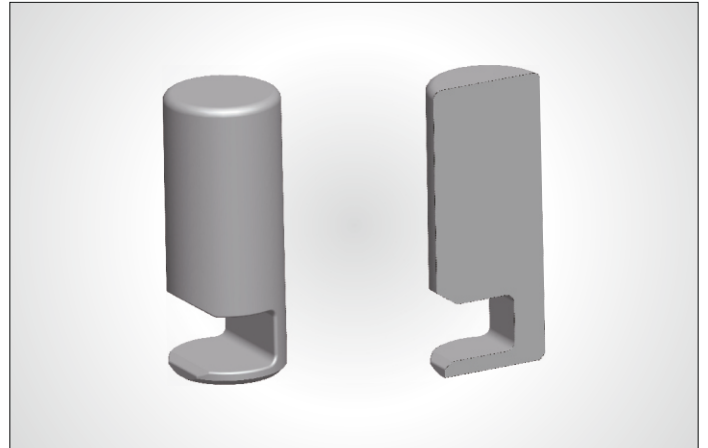
Optional anti-burglar function

When the bolt is extended, it cannot be retracted by the external force without permission.



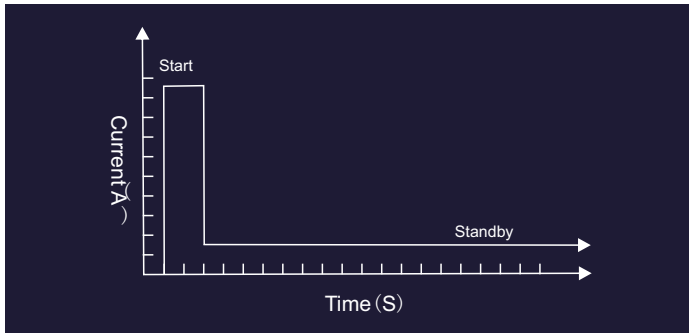
304 stainless steel solid bolt

With 304 stainless steel solid bolt, the electric bolt has 2000kg holding force. It is stronger and more durable under the harsh environment.



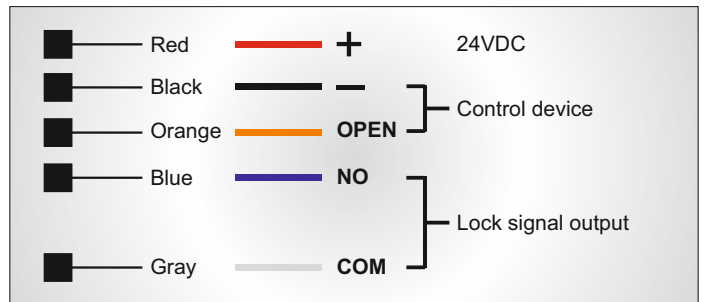
Energy saving design

When the bolt is extended to keep the door locked, it draws only 0.1A in a holding mode down from 0.5A while the bolt is retracted. This design extends the life of the electric bolt.



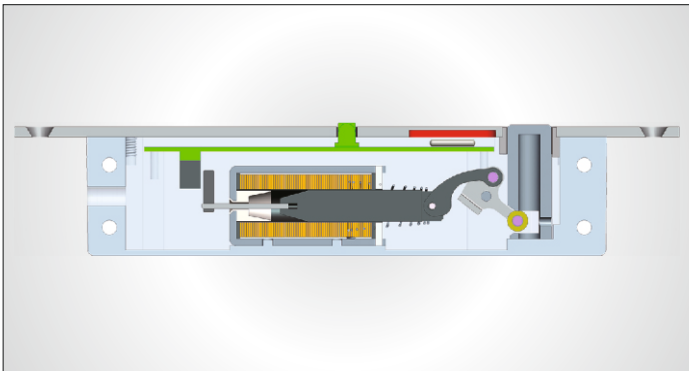
Connecting instructions

With the special auto-detective circuit, we advise you to connect our own open wires to open the door instead of shutting off the power directly.



All-metal lock body

The all-metal lock body and components make the lock stronger and more durable, which ensure the lock can work under the harsh environment. (Can order the lock work at the temperature of 60 °C or 40 °C below zero.)



Shenzhen YLI Electric Lock Co.,Ltd.

Room 1605, Block A, Haisong Building, Tairan 9th Road, Futian District, Shenzhen, China
 TEL:86-755-83489801/02/03/04/05/06 FAX:86-755-83489807
 Website: www.yli.cn E-mail: yli@yli.cn

