



YLI ELECTRONIC



Motor Driven Mute Electric Bolt

Model: YB-1300MD(LED)

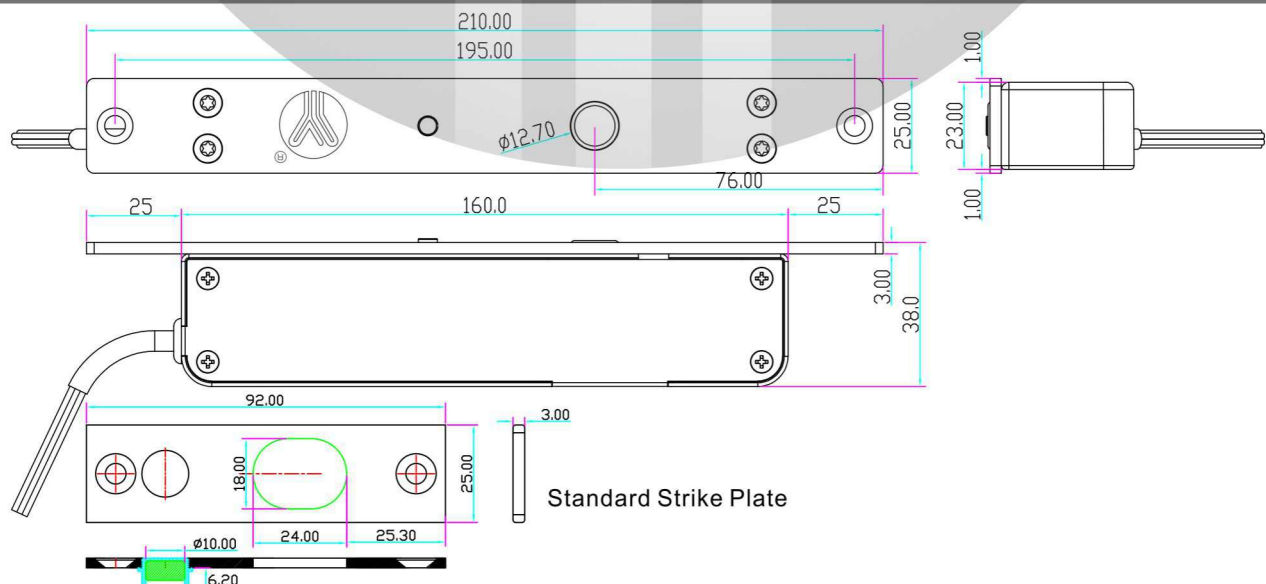
Introduction

Motor driven mute electric bolt, the bolt is controlled by motor drive to realize lock and unlock. The driving force of the motor is very strong, the bolt can be pushed out by the powerful thrust of the motor to align the door when the door is deformed or misaligned. The parts are made of lightweight materials, work more smoothly, less resistance, can achieve mute when lock and unlock. The PCB is equipped with an electronic protection device to realize the precise control of locking and unlocking. In addition, compared with the traditional electric bolt which uses electromagnet to lock, this electric bolt does not need to be powered on continuously after entering the state of locking and unlocking, which is low power consumption, energy saving and environmental protection.

Parameters

Lock Body	210Lx25Wx38H(mm)
Magnetic Plate	92Lx25Wx3H(mm)
Bolt	12.7(prolongation)*15(diameter)(mm)
Voltage	12~24VDC
Current	≤400mA
Time Delay	0/3/6/9sec
Signal Output	Door signal(NO/COM) Lock signal(NO/NC/COM)
LED	Light on indicates locked, light off indicates unlocked
Detection Distance	Within8mm
Suitable for	Wooden door, metal door, fireproof door, glass door
Material	304 stainless steel, wire draw finishing
Weight	1.25kg
Patent Number	ZL 202121422020.X

Dimensions



Time Delay

Adjust the delay time for locking automatically 0/3/6/9 secs.



0.0 SEC



6.0 SEC

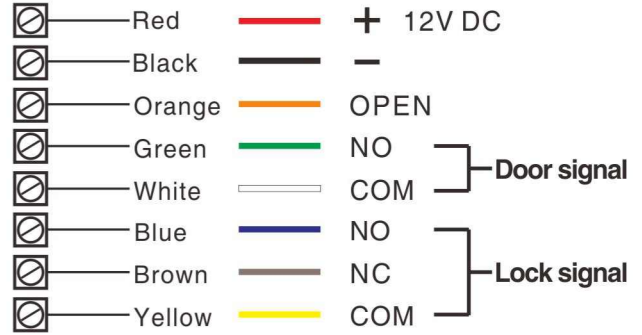


3.0 SEC



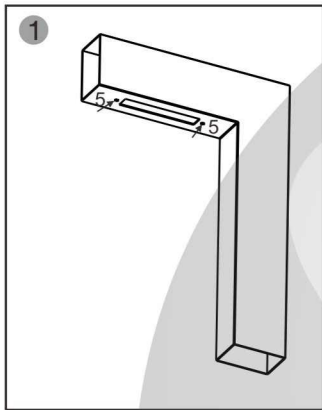
9.0 SEC

Wiring Diagram

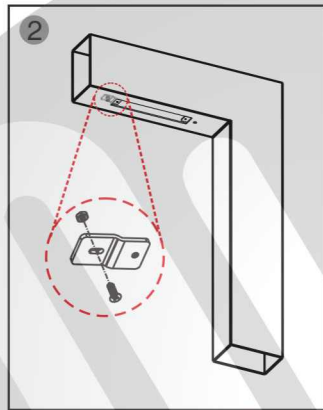


Can not be used directly by power on or power off, must be controlled through OPEN wire to unlock.

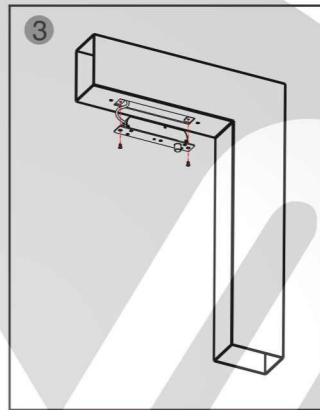
Installation Steps



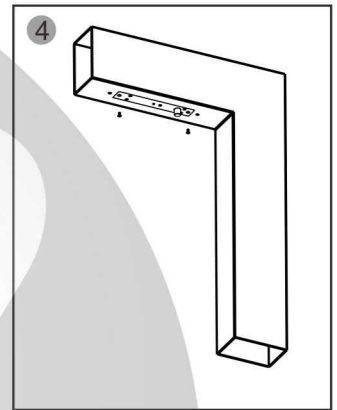
1 Incise the location of face plate and magnetic plate in the door leaf and door frame according to the mark of lore size



2 Mount extended slice



3 Connect power supply line and test



4 Tighten the screws

Installation Schematic

