



YLI ELECTRONIC

# Single Door Magnetic Lock (Portable)

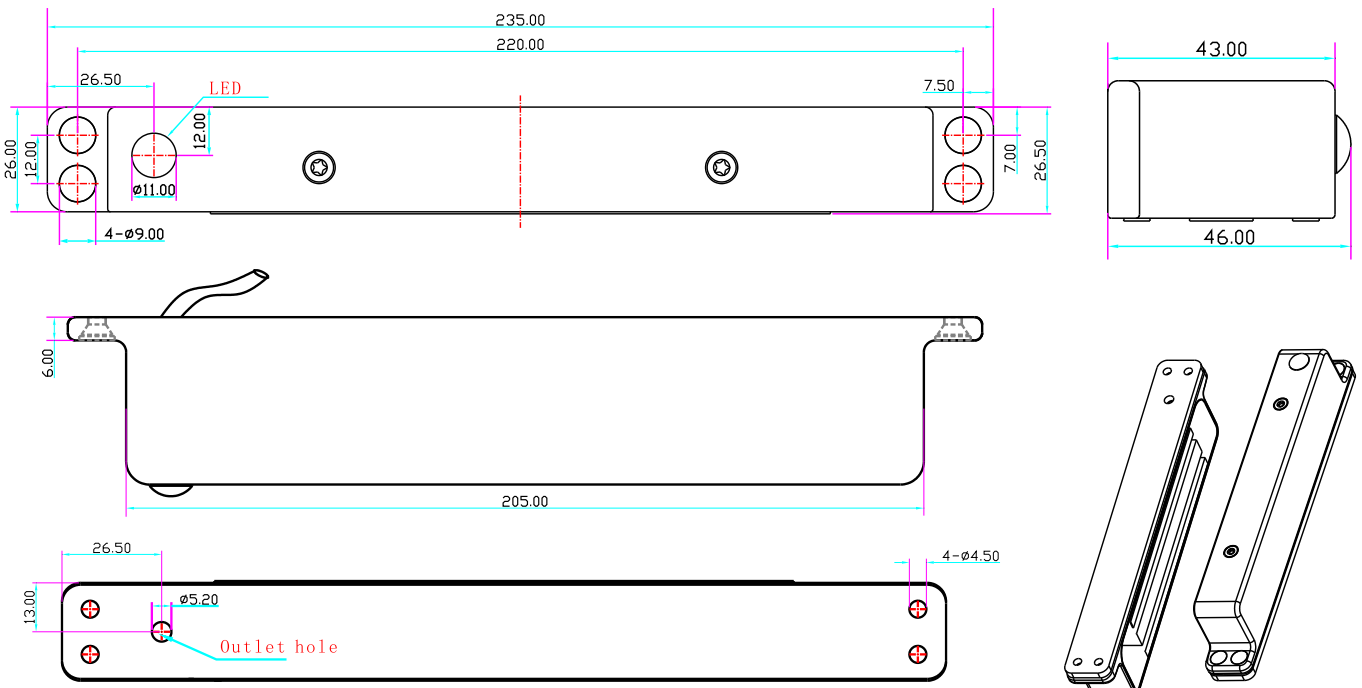
Model: YM-280H(LED)



## Specification

<b>Lock Size</b>	235Lx26.5Wx43H(mm)
<b>Holding Force</b>	280kg(600Lbs)
<b>Voltage</b>	DC12V DC24V
<b>Current</b>	12V/500mA±10% 24V/250mA±10%
<b>Signal Output</b>	Lock signal(NO/COM)
<b>LED Indication</b>	Red shows locked ;Green shows unlocked
<b>Suitable for</b>	Wooden door , PVC door ,Metal door , Fireproof door
<b>Suitable Temperature</b>	-10~+55°C
<b>Weight</b>	2.4KG
<b>Patent Number</b>	201620102661.X

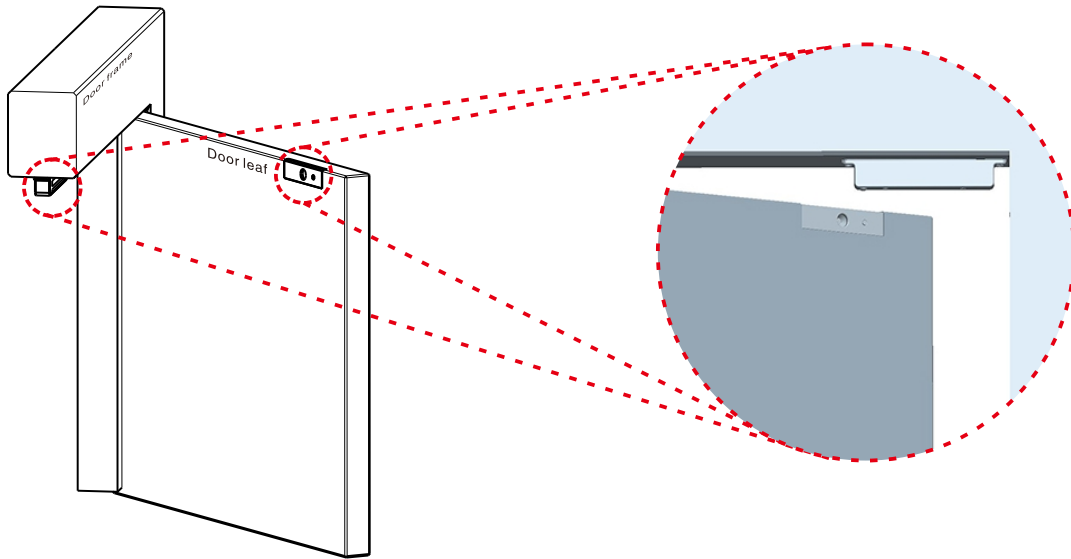
## Diagram(unit:mm)



### Cautions:

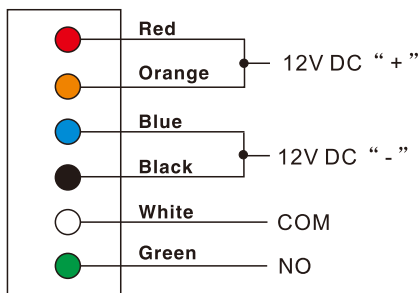
- The screw of armature plate should not be fixed too tight. Proper elasticity should be guaranteed for the rubber ring so that the armature plate can adjust itself to the appropriate position.
- Check the voltage before connecting the wires, 12V or 24VDC.
- Please keep the surface of the lock clean, or the force will be reduced because of the dust, glue or scotch tape on it.

# Installation Instruction

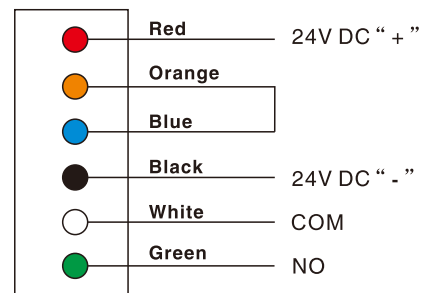


## Wire Diagram

### A. 12V DC Input



### B. 24V DC Input



## Wire Connection

