



YLI ELECTRONIC



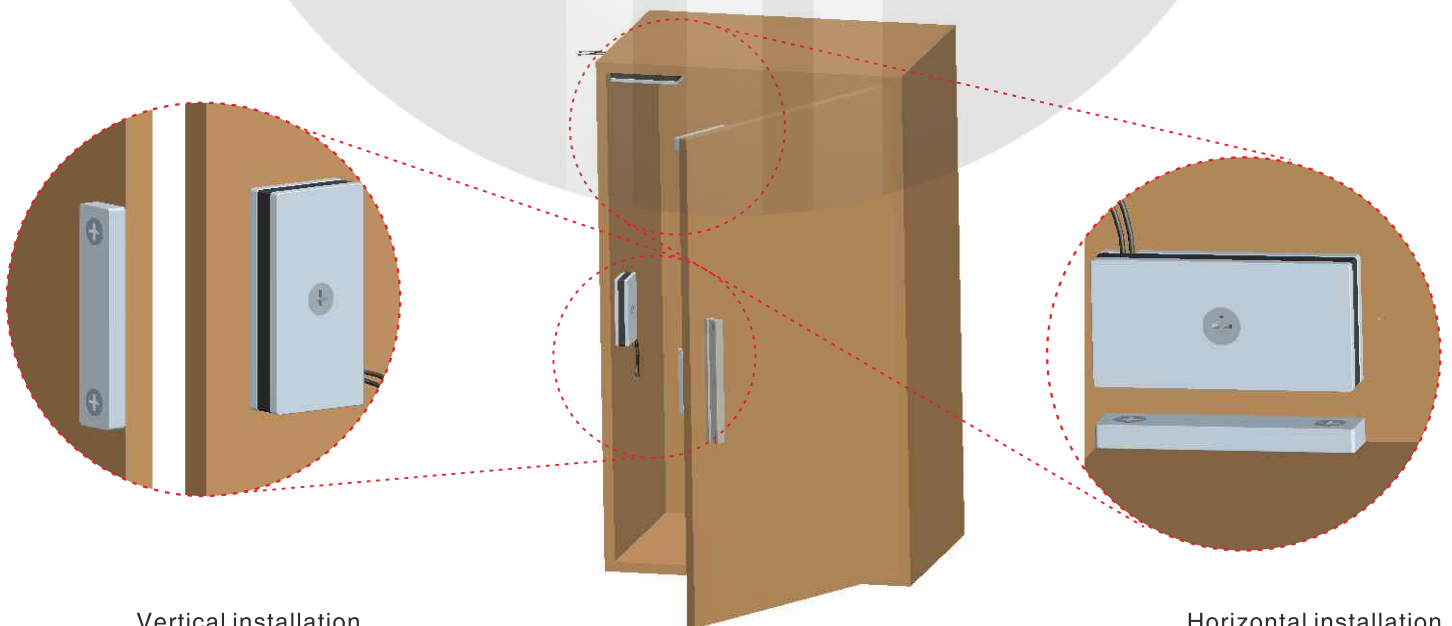
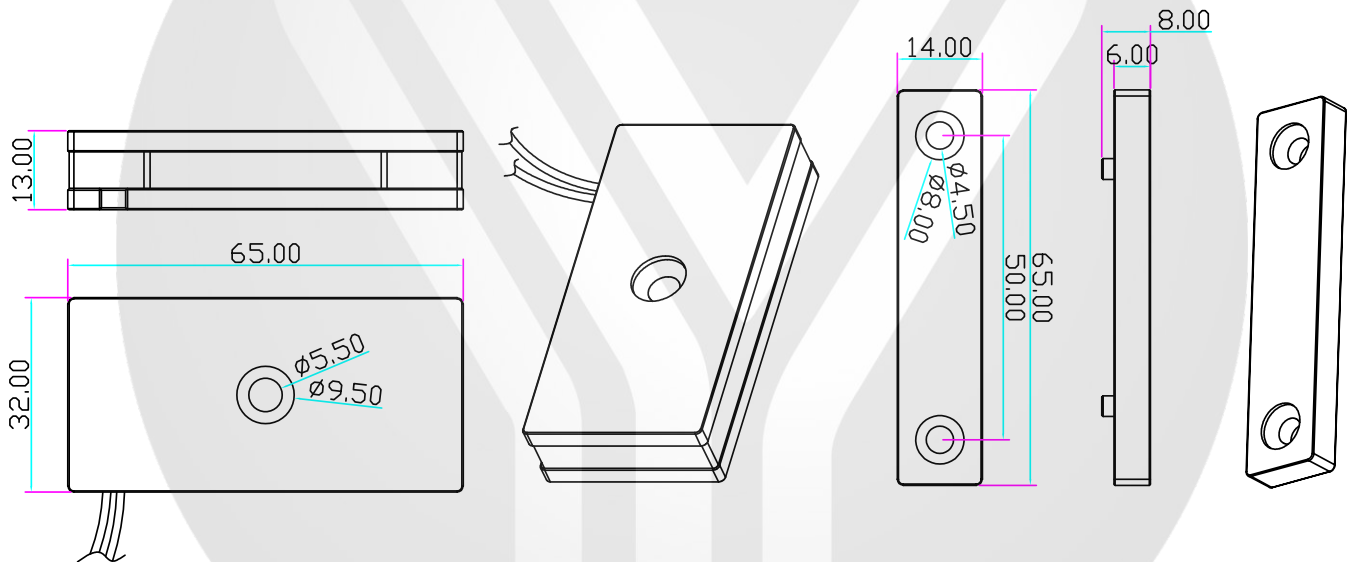
Electromagnetic Cabinet Lock

Model:YM-35

Specification

Dimension of Lock Body	65Lx32Wx13H(mm)
Voltage	DC12V (Customizable DC 24V)
Current	200mA
Holding Force	35kg±10%
Suitable for	Small doors for filing cabinets, lockers, windows, etc
Operating Temperature	-10~+55℃
Weight	0.25kg

Dimensional Drawing and Installation Diagram



Vertical installation

Horizontal installation