

28000458 Kraftig skabslås

Description



Built-in door sensor provides reporting of open/ close status and mechanical kits for manual override in case of power failure.

Surface mounting either vertically or horizontally offers easy and flexible installation. The cabinet lock is compatible with any access control system or standalone cabinet locking. With easy push-to-close operation, the lock is designed with internal spring rod to push door open when electrified. It simplifies the access control of enclosures in a wild variety of applications.

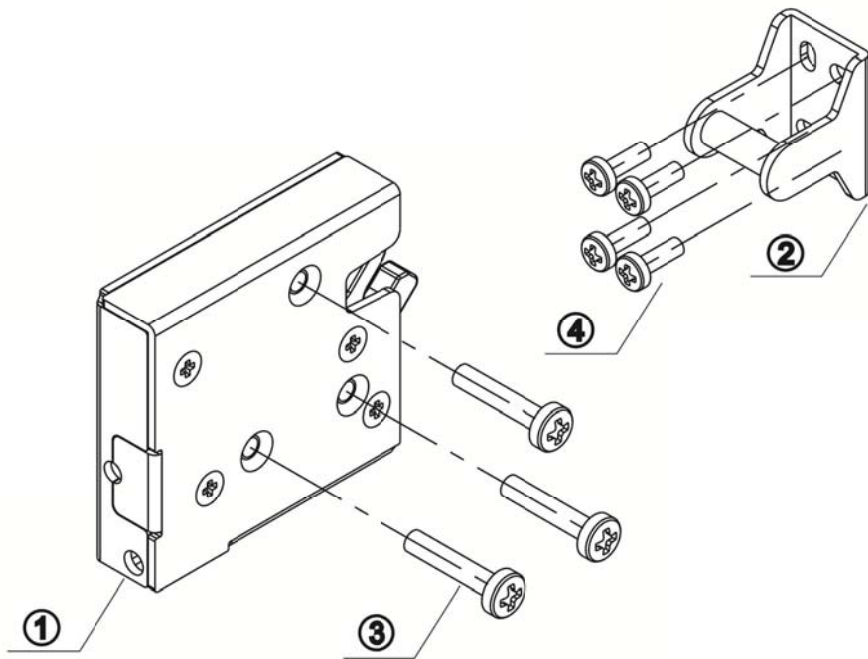
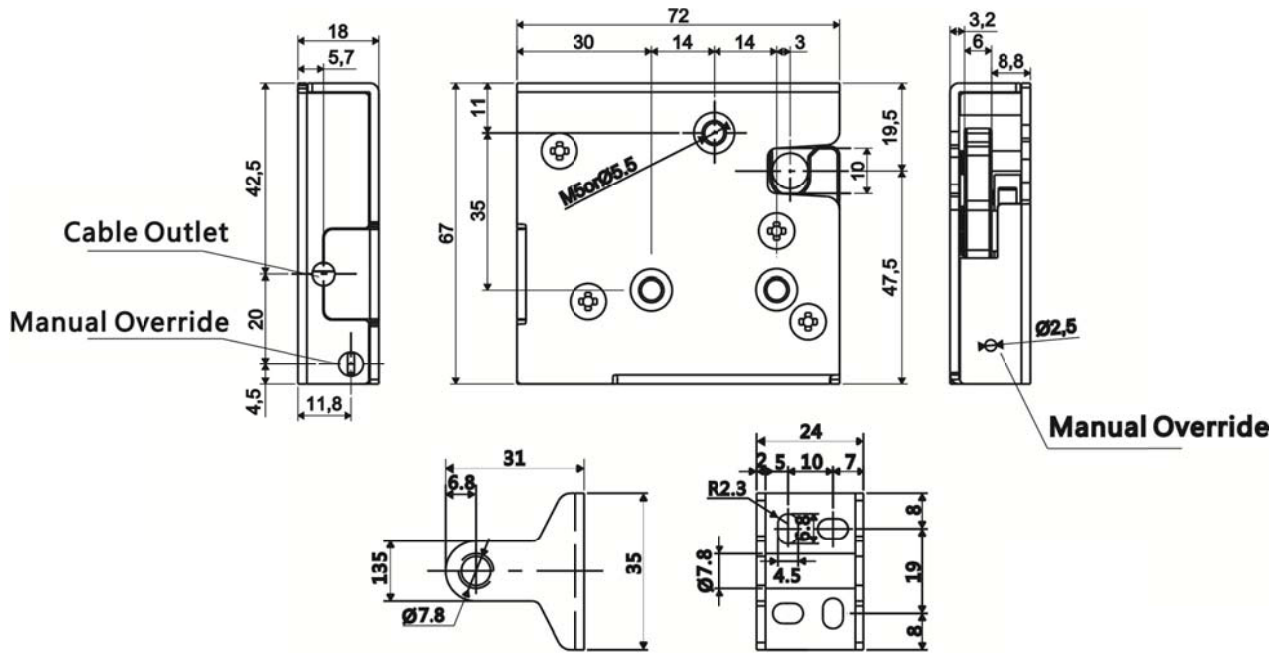
Features

- Superior heavy duty metal construction
- Chrome-plated steel housing
- Surface-mounted compact electric lock
- Convenient mechanical override enables manual release during power failure
- Operates against heavy mechanical load
- Optional internal microswitch for latch open/close output signal
- Accepts access control signals from wireless RF key fobs or proximity cards, numeric keypads, card readers,
- Can be fitted to locker, mail box and drawers etc

Specifications

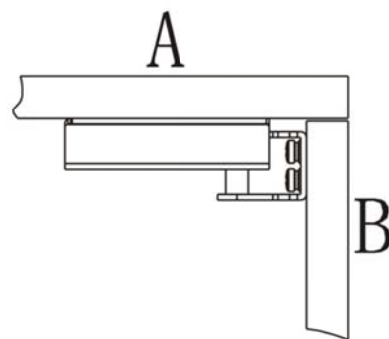
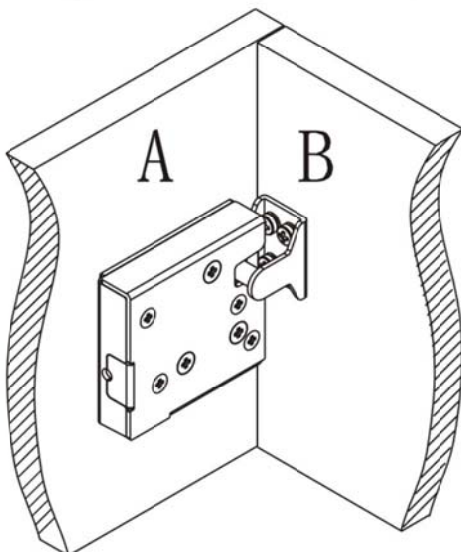
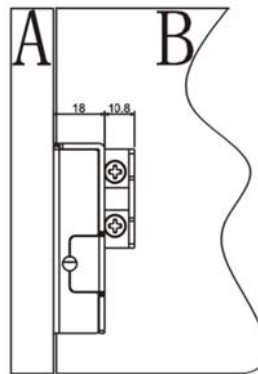
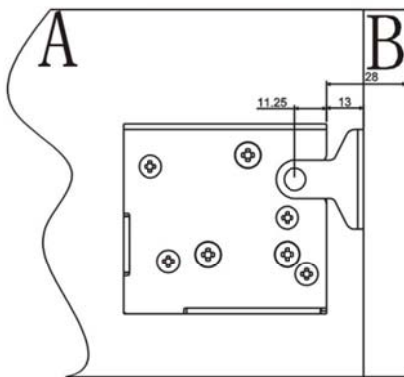
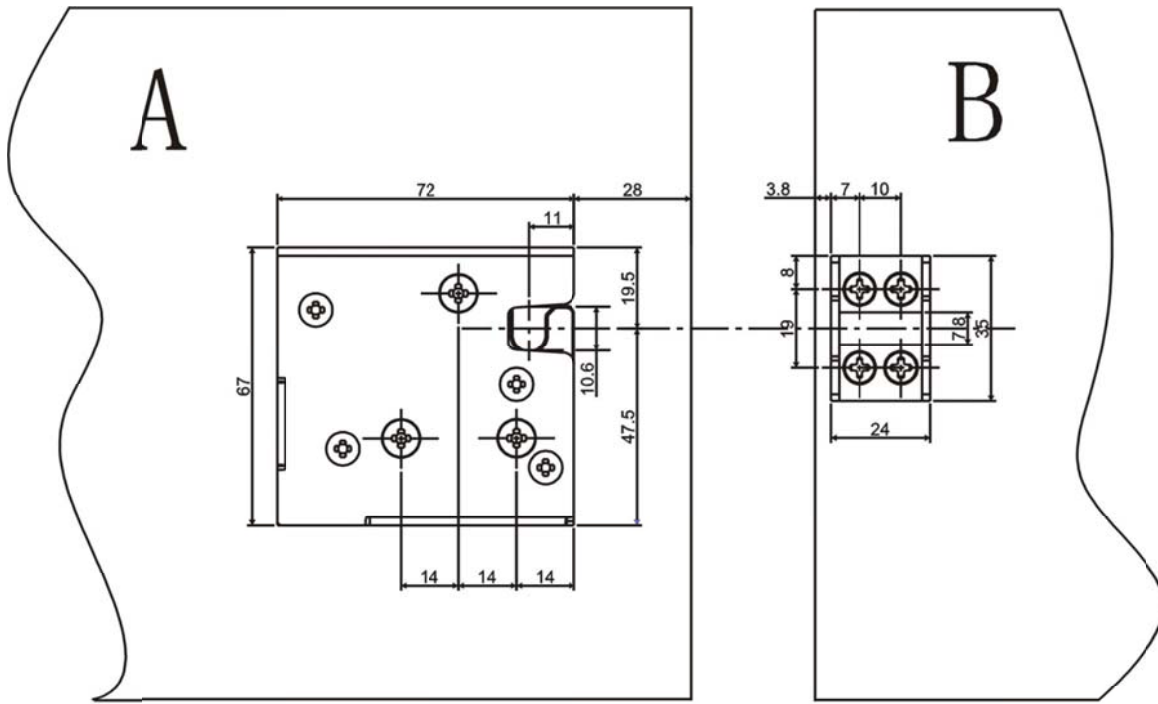
Operation Voltage:	12VDC ±10%
Power Consumption:	2000mA
Operation Mode:	Fail Locked
Solenoid Type:	Intermittent
Holding Force:	600KG
Max. Power on:	1 second
Cycle Rating:	More than 1,000,000
MS Contact Rating:	5A @125V
Working Temperature:	-20°C ~ +60°C
Dimensions LxWxH:	72mm*67mm*18mm
Weight:	330g
Protection Class:	IP20

Dimension:

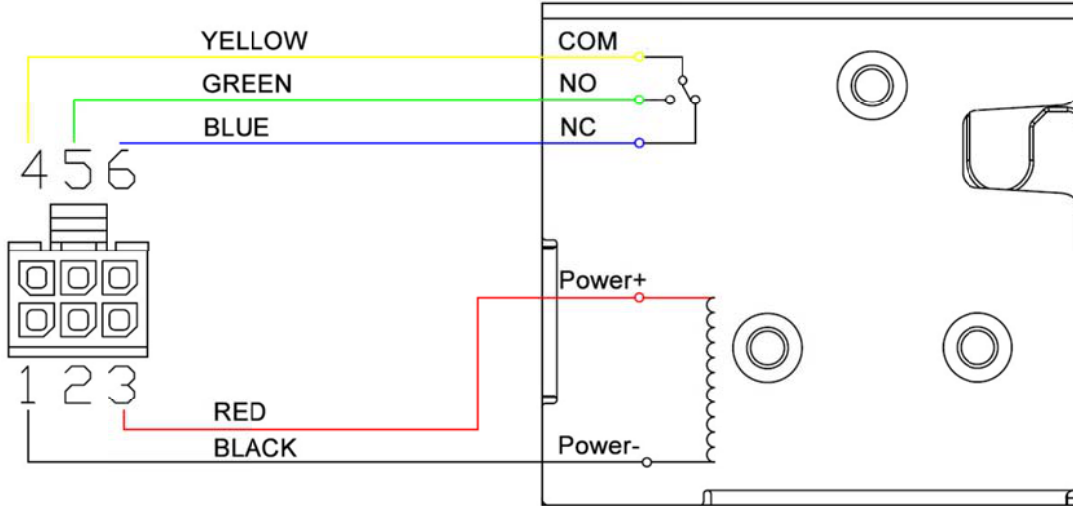


- | | | |
|---|---------------------------|------|
| ① | Lock Body | 1pcs |
| ② | U Hook | 1pcs |
| ③ | M4x10mm round head screws | 4pcs |
| ④ | M5x16mm round head screws | 3pcs |

Installation:



Wiring:



Cable Length: RVV 5P 22AWG 14CM

Connector: Molex 43025-0600

Options for customization						
Voltage	Current	Trigger Spring	Mounting holes	Material	Cable	Connector
12VDC	2000mA	25N	M5 thread(standard) Ø5.5 thru (Optional)	Stainless steel	RVV	Molex KF2510 PH RJ11