

MD1220SP

Description



Outdoor Electronic Cabinet Lock

Outdoor Electronic Cabinet Lock is designed for outdoor locking solution. With sealed solenoid and water proof micro switch, it is rated for IP57. Robust all metal construction allows MD series lock operate against heavy mechanical load. An optional built-in door sensor provides reporting of open/ close status and mechanical kits for manual override in case of power failure.

Surface mounting either vertically or horizontally offers easy and flexible installation. The cabinet lock is compatible with any access control system or standalone cabinet locking. With easy push-to-close operation, the lock is designed with internal spring rod to push door open when electrified. It simplifies the access control of enclosures in a wild variety of applications.

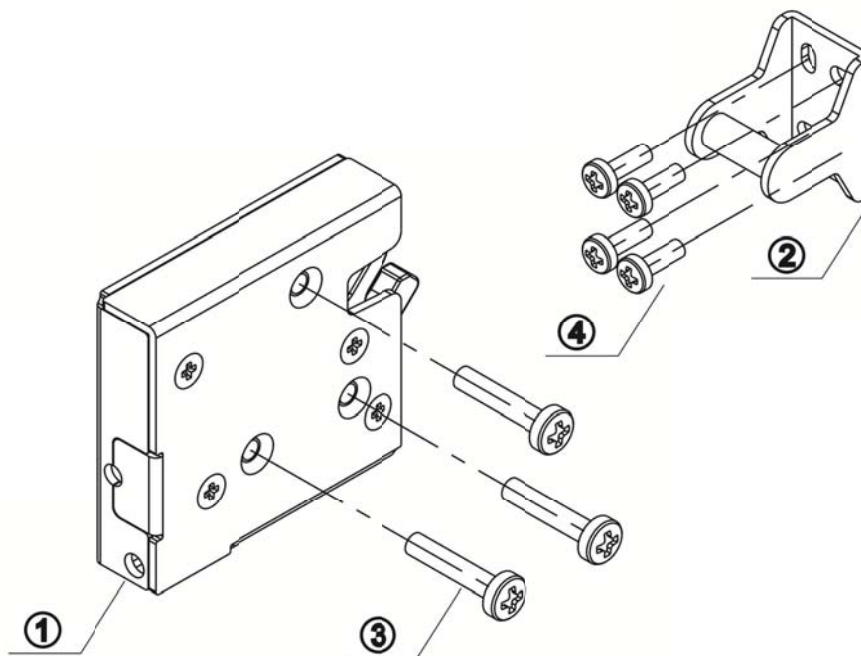
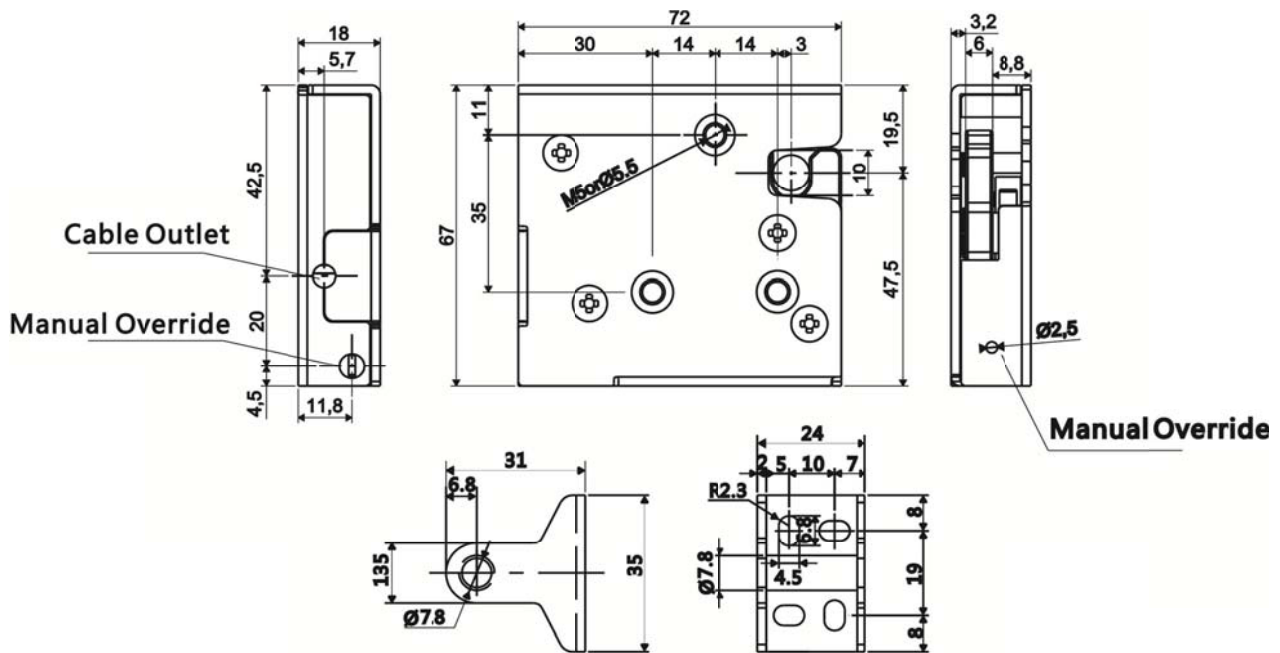
Features

- Superior heavy duty metal construction
- Zinc-plated steel housing, optional stainless steel
- Surface-mounted compact electric lock
- Convenient mechanical override enables manual release during power failure
- Operates against heavy mechanical load
- Optional dual micro switch allows trigger after locked
- Accepts access control signals from wireless RF key fobs or proximity cards, numeric keypads, card readers, IP57 rated

Specifications

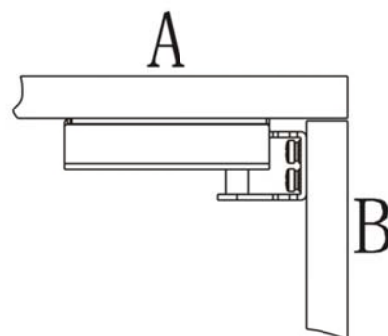
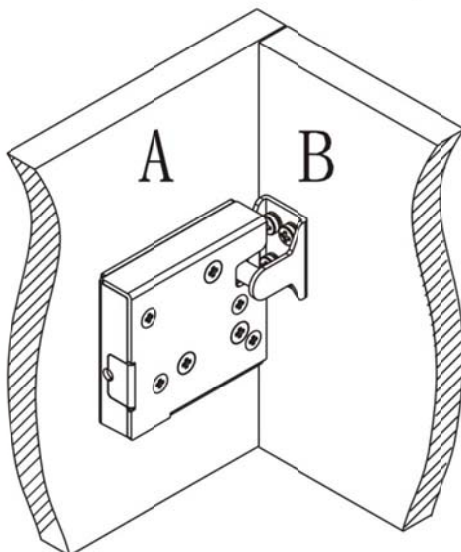
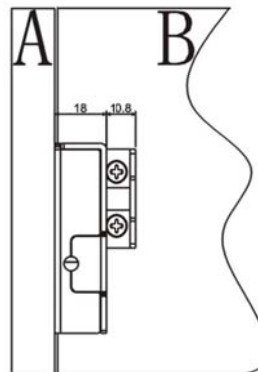
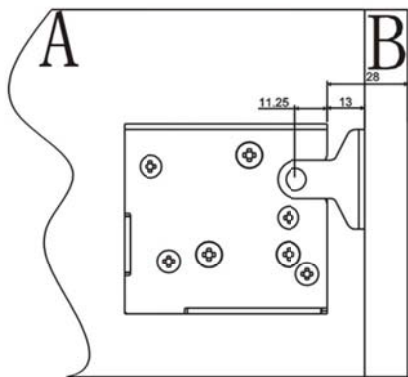
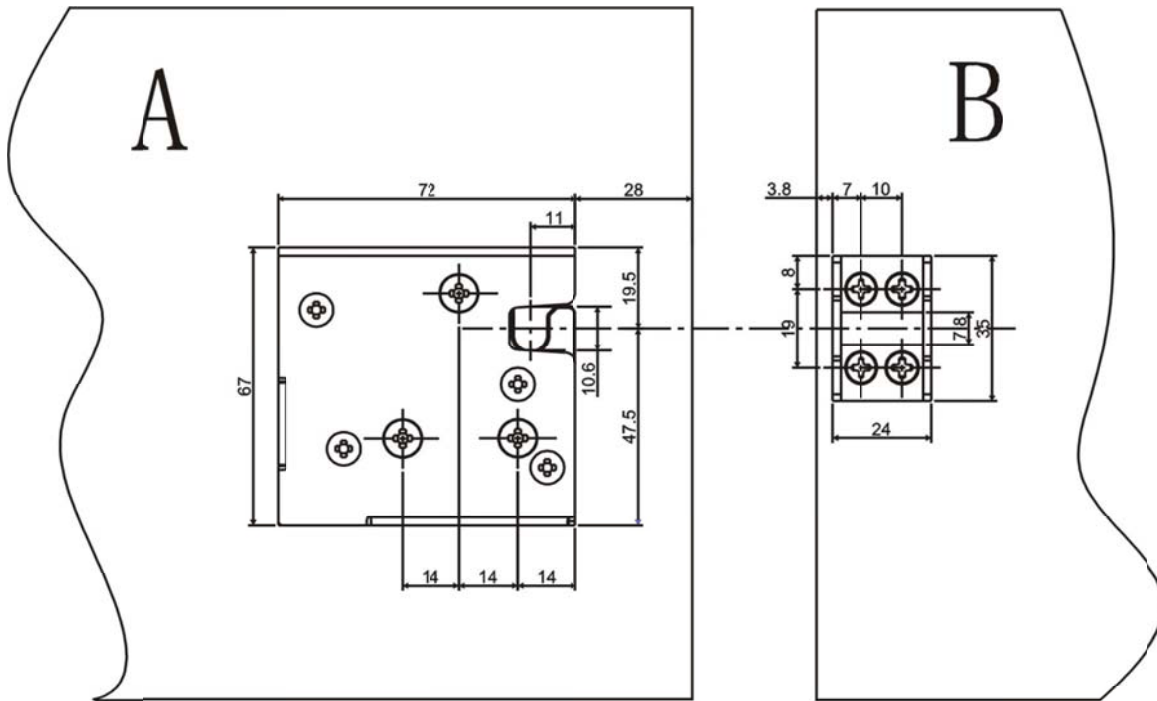
Operation Voltage:	12/24VDC intermittent ±10%
Power Consumption:	12V DC 2000mA
Operation Mode:	Fail Locked
Solenoid Type:	Intermittent
Holding Force:	600KG
Max. Power on:	1 second
Cycle Rating:	More than 1,000,000
MS Contact Rating:	5A @125V
Working Temperature:	-20°C ~ +60°C
Dimensions LxWxH:	72mm*67mm*18mm
Weight:	330g
Protection Class:	IP57

Dimension:

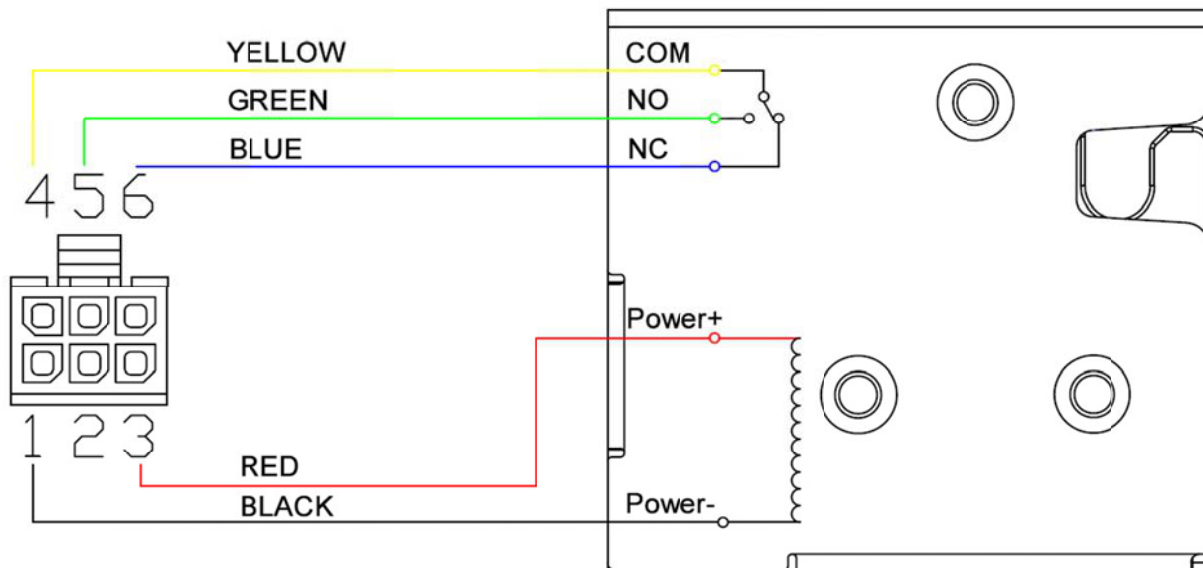


- | | |
|-----------------------------|------|
| ① Lock Body | 1pc |
| ② U Hook | 1pc |
| ③ M4x10mm round head screws | 4pcs |
| ④ M5x16mm round head screws | 3pcs |

Installation:



Wiring:



Cable Length: RVV 6P 22AWG 20CM

Standard Connector: Connector: Molex 43025-0600

We offer customization for cable length and connector type to meet the exact requirement of your application.

Options for customization						
Voltage	Current	Trigger Spring	Mounting holes	Material	Cable	Connector
9V	1500mA	10N	M5 thread(standard) Ø5.5 thru (Optional)	Steel	Twisted	Molex
12VDC	2000mA	25N		Stainless	RVV	KF2510
24VDC		35N		steel	Flat cable	PH
48V						RJ11

We can offer customized samples maximum 10pcs.
MOQ of batch order for customization: 500pcs.