



YLI ELECTRONIC



# Basic Wall Mount Door Holder

## Model: YD-601L

### Basic Instruction

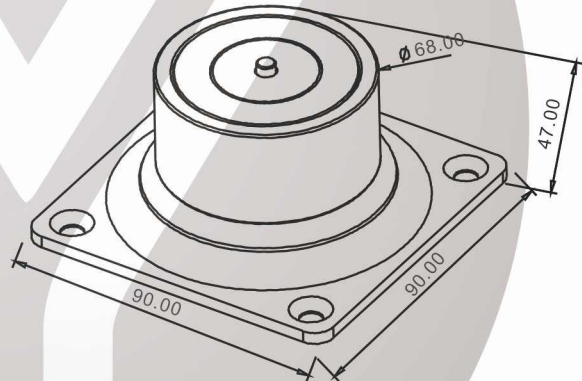
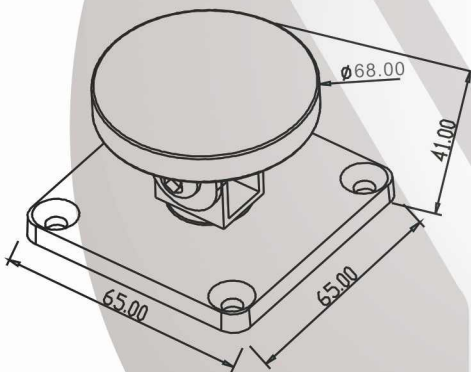
Dual Voltage Selectable(12VDC or 24VDC)  
Wall Mounting Direction  
Low Current Consumption

Reliable Fail-Safe Mechanism  
Durable and Silence Operation

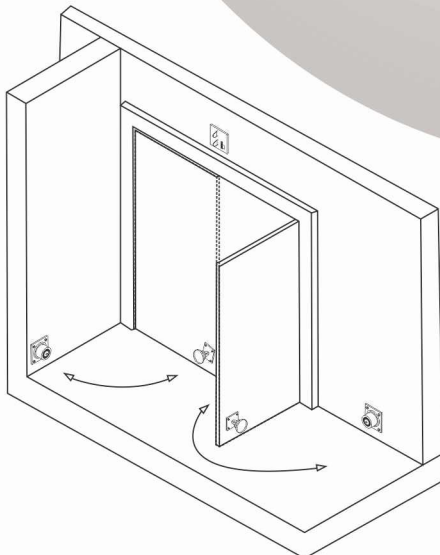
### Specifications

- Size: 90Lx90Wx47H(mm)
- Voltage: 12/24VDC(Adjustment)
- Current Draw: 12V/240mA 24V/120mA
- Operating Temp: -10~+55°C(14-131F)
- Suitable Humidity: 0~95%
- Weight: 1.2kg
- Holding Force: 180kg(350Lbs)
- Suitable for: All Kind of Single(Double) Smokeproof Doors.
- Finishes for Armature: Chromium
- Finishes for Shell: High Temperature Paint  
Environmental Protection Zinc

### Dimension



### Installation



### 12/24V Adjustable

#### Remarks:

1. The default setting is 24VDC.
2. If user want to connect with 12VDC, operating as below:
  - (1) Pull those two jumpers out. It is showed 4 pins here.
  - (2) To set up 12VDC, insert one jumper on the position of 1 and 2, second jumper on the position of 3 and 4.

